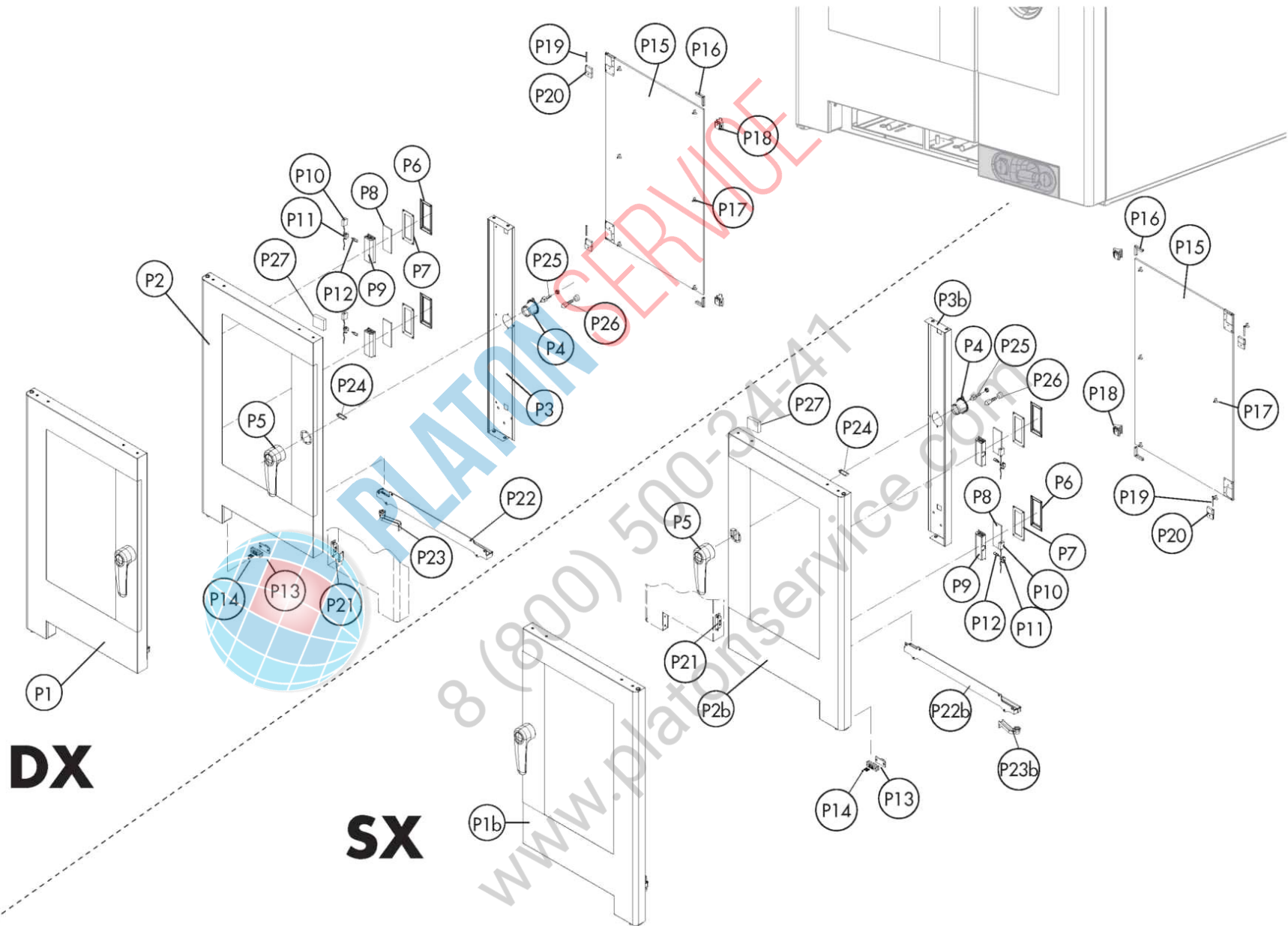


Attenzione! I disegni esplosi si riferiscono al modello generale

TAV. A

| Pos. | Code | Codice precedente | Description | Notes | From: | To: |
|------|-------------|-------------------|---|------------------------------------|----------|-----------|
| 0001 | LAR65040600 | | MOTOR [C] 220/240V 0,25KW F3 2P | | | |
| 0001 | LAR65041300 | | MOTOR [C] 230V 50/60HZ 0,25KW UL F3 2P | UL Version (USA-CAN) | | |
| 0002 | LA58003870 | LAR58003870 | COUNTER FLANGE [C] SMALL | | | |
| 0003 | LA70020040 | LAR70020040 | GASKET [C] | | | |
| 0004 | LA58003860 | LAR58003860 | FLANGE [C] | | | |
| 0005 | LA75400570 | LAR75400570 | FAN [C] D. 240X80 50HZ | | | |
| 0008 | LA65011940 | LAR65011940 | HEATING ELEMENT [C] 10000W 208V | UL Version 208V (USA-CAN) | | |
| 0008 | LAR65011930 | | HEATING ELEMENT [C] 10000W 230V | | | |
| 0008 | LAR65011970 | | RESISTENZA 10000W277V D8.5 INC.CAM.K_081 | UL Version 277V (USA-CAN 3AC 480V) | | |
| 0009 | LA70010370 | LAR70010370 | GASKET [C] | | | |
| 0010 | LAR69150110 | | CAP [C] | | | |
| 0011 | LA70050140 | LAR70050140 | GASKET [C] BOILER CAP | | | |
| 0013 | LAR58006690 | | CAP [C] SERIE 2014 | | | |
| 0014 | LAR14216700 | | BOILER [C] GEMT07/NA-SAEB071 | | | |
| 0015 | LAR58004040 | | INOX NUT [C] 3/4X8 M/106-120 | | | |
| 0016 | LA65320010 | LAR65320010 | PROBE [C] LEVEL TL 10/B | | | |
| 0017 | LA65020310 | LAR65020310 | HEATING ELEMENT [C] 7500W208V BOILER ME/106-110 | UL Version 208V (USA-CAN) | | |
| 0017 | LA65020340 | LAR65020340 | HEATING ELEMENT [C] 7500W277V BOILER US | UL Version 277V (USA-CAN 3AC 480V) | | |
| 0017 | LA65020350 | LAR65020350 | HEATING ELEMENT [C] 7500W230V BOILER ME/105-106 | | | |
| 0018 | LAR65110570 | | VALVE [C] 230V | | | 2/29/2016 |
| 0018 | LAR65110571 | | VALVE [C] 230V | | 3/1/2016 | |
| 0019 | LA62080093 | LAR62080093 | JOINT [C] MF 1 | | | |
| 0020 | LA65324550 | LAR65324550 | PROBE [C] LEVEL CALOUT TL 10/B EL=20 TF=15 | | | |
| 0021 | LA62090918 | LAR62090918 | CONNECTOR [C] D.10 | | | |
| 0022 | LA80150060 | LAR80150060 | PIPE [C] | | | |
| 0023 | LA62090528 | LAR62090528 | CONNECTOR [C] 10X10 | | | |
| 0024 | LAR65110210 | | SOLENOID VALVE [C] 220V 50HZ 2 WAYS | | | 3/1/2015 |
| 0024 | LAR65110330 | | DOUBLE SOLENOID VALVE 2 WAYS 230V 50/60HZ OUT J.G. D.10 | | 3/3/2015 | |
| 0025 | LA62090798 | LAR62090798 | REDUCTION [C] Å, 8-Å, 6 | | | |
| 0026 | LA80150020 | LAR80150020 | PIPE [C] | | | |
| 0028 | LAR65110620 | | PUMP [C] 230V 50HZ | | | |

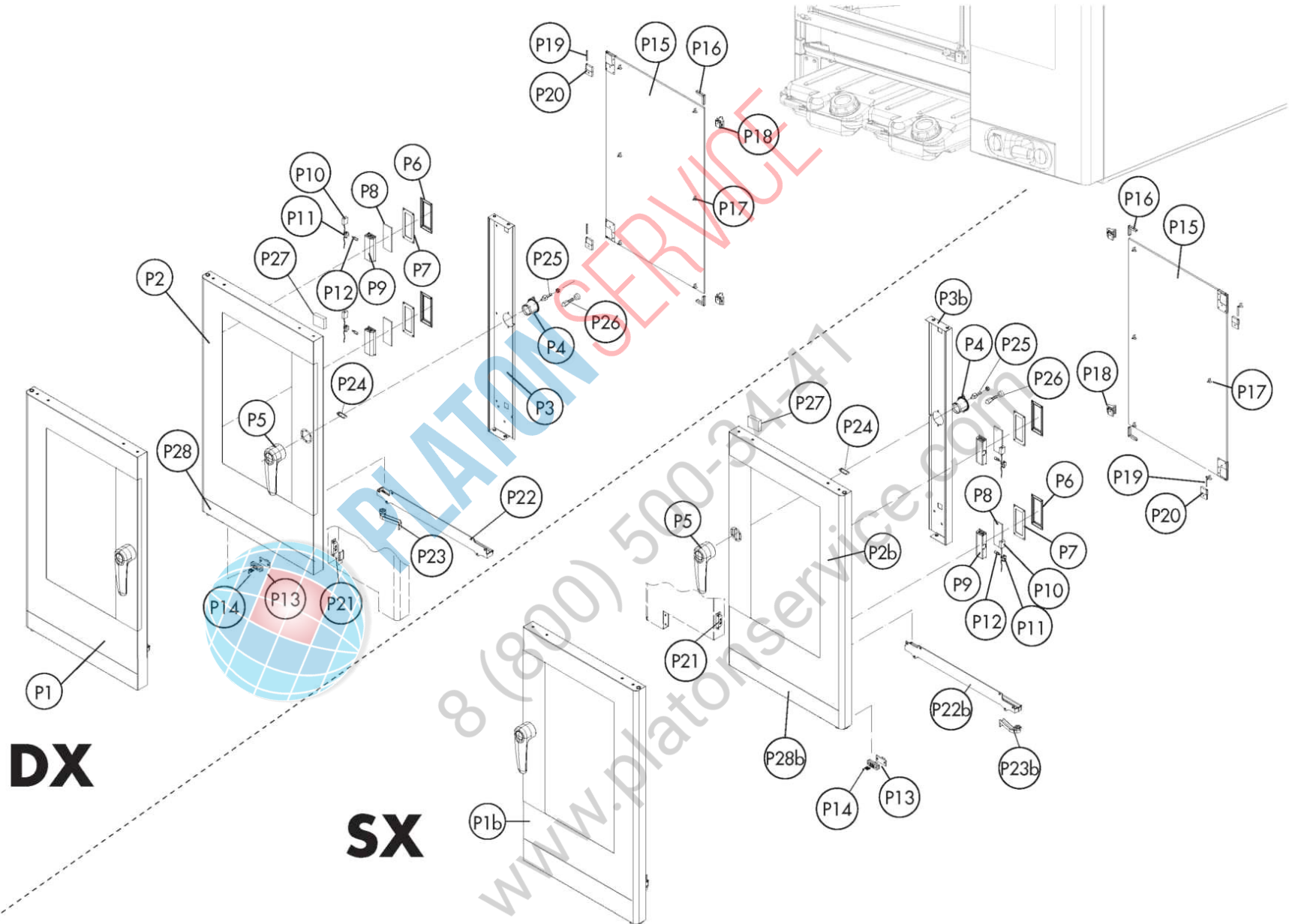
| Pos. | Code | Codice precedente | Description | Notes | From: | To: |
|------|-------------|-------------------|--|-------|-------|-----|
| 0029 | LA80150020 | LAR80150020 | PIPE [C] | | | |
| 0030 | LA62090878 | LAR62090878 | CONNECTOR [C] D.8 | | | |
| 0031 | LAR11200650 | | EXTENSION [C] SPRINKLER M/061 | | | |
| 0033 | LA62090908 | LAR62090908 | CONNECTOR [C] D.10 | | | |
| 0034 | LA80150060 | LAR80150060 | PIPE [C] | | | |
| 0035 | LAR65320220 | | PROBE [C] K 6X80 1,5ML | | | |
| 0036 | LA62070023 | LAR62070023 | BICONE [C] D. 6 | | | |
| 0037 | LA62060223 | LAR62060223 | NUT [C] D. 6 | | | |
| 0038 | LAR65095000 | LAR65090220 | MOTOR [C] VENTING | | | |
| 0039 | LAR14170570 | | PIPE [C] | | | |
| 0040 | LA70010150 | LAR70010150 | GASKET [C] 55X35X3 | | | |
| 0041 | LAR14201030 | | DEFLECTOR [C] N/S071 2014 | | | |
| 0042 | LA75300050 | LAR75300050 | PLATE [C] FAN D.270 N/S101 2014 | | | |
| 0043 | LAR58003110 | | PIN [C] | | | |
| 0044 | LA14402130 | LAR14402130 | HINGE [C] | | | |
| 0045 | LA58000370 | LAR58000370 | PIVOT HINGE | | | |
| 0046 | LA58004050 | LAR58004050 | NUT [C] FOR HINGE PIN M/106-220 | | | |
| 0047 | LA11207240 | LAR11207240 | LOWER HINGE KIT [C] M-V/061-101-102 2005 | | | |
| 0048 | LA58002670 | LAR58002670 | PIN [C] HINGE SR.2005 | | | |
| 0049 | LA58000360 | LAR58000360 | NUT [C] FOR HINGE PIN N/S 2014 | | | |
| 0050 | LAR70048002 | | SCHEDA BUZZER FORNO X / S LX | | | |
| 0051 | LAR69180210 | | DRAIN CONTAINER [C] N/S071-101 2014 | | | |
| 0052 | LA69180250 | LAR69180250 | FILTER [C] BASIN DRAINAGE | | | |
| 0054 | LAR10201710 | | FILTER [C] D.86/44.5 M/210-12 | | | |
| 0056 | LA70060040 | LAR70060040 | COUPLING [C] D. INT 51 D. EXT 59 | | | |
| 0057 | LAR70060080 | | COUPLING [C] D. 13X18X80 | | | |
| 0058 | LA69180120 | LAR69180120 | BOX [C] | | | |
| 0059 | LA58006160 | LAR58006160 | NOZZLE [C] D. 0,80 | | | |
| 0060 | LA62090633 | LAR62090633 | CONNECTOR [C] 10/10 | | | |
| 0061 | LAR70050150 | | GASKET [C] BOILER CAP | | | |
| 0062 | LA69150100 | LAR69150100 | CAP [C] | | | |
| 0063 | LAR61630031 | | ZINC CLAMP [C] 40-60/9 | | | |
| 0064 | LA62280038 | LAR62280038 | CURVE [C] D.50 D.50X | | | |
| 0065 | LAR65240030 | | FAIRLEAD [C] PG 107 Z/29 | | | |



Attenzione! I disegni esplosi si riferiscono al modello generale

TAV. B - SCS

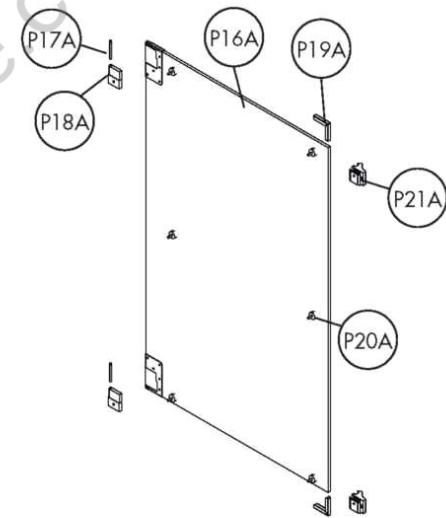
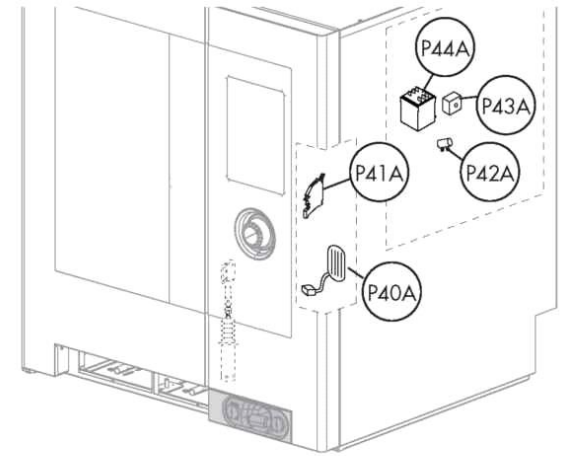
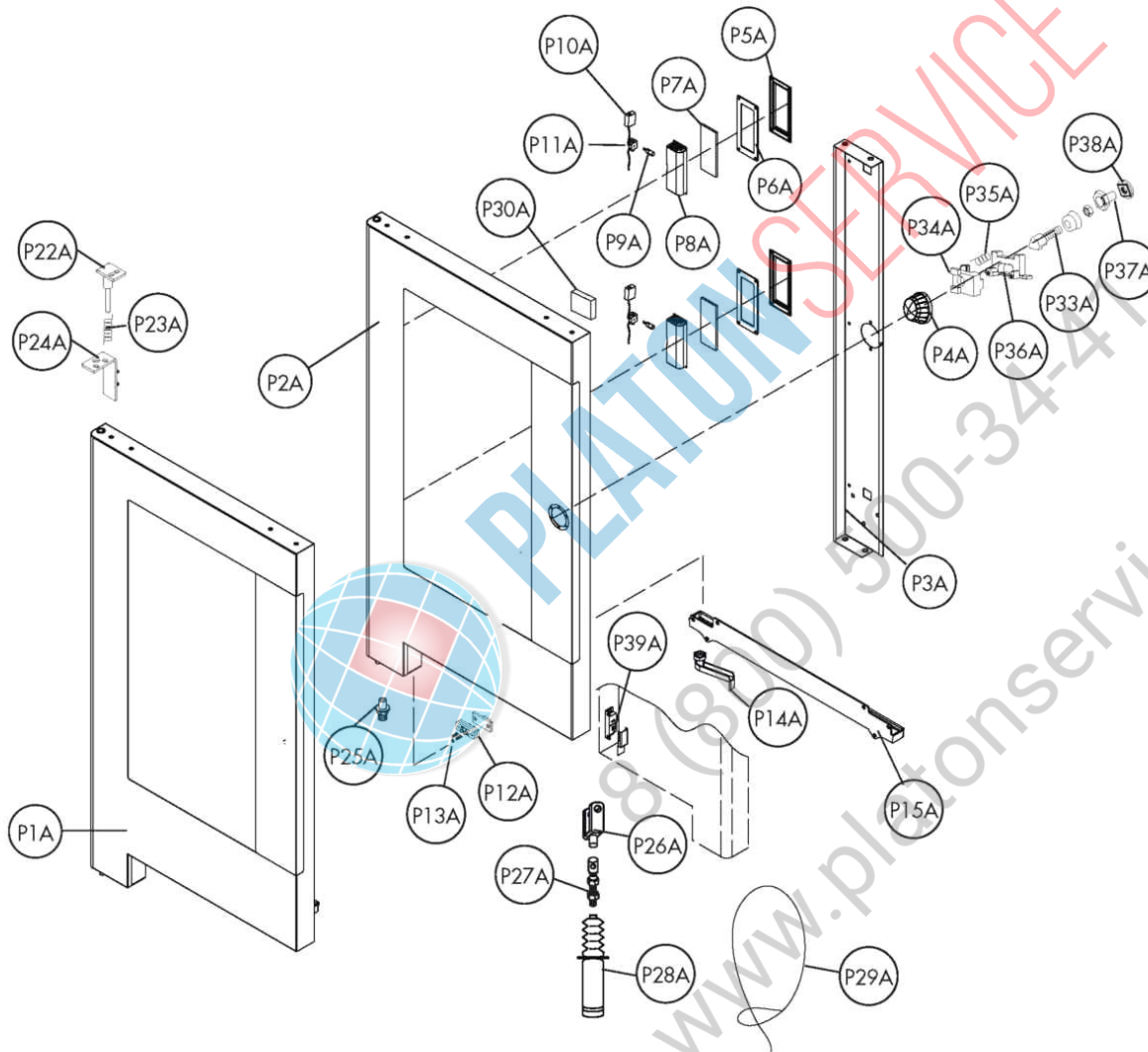
| Pos. | Code | Codice precedente | Description | Notes | From: | To: |
|------|-------------|-------------------|--|-------|-------|-----|
| OOP1 | LAR14162600 | | DOOR [C] NA_071 | | | |
| OOP2 | LAR14200760 | | DOOR [C] NA_071 | | | |
| OOP3 | LA67016540 | LAR67016540 | COATING [C] | | | |
| OOP4 | LAR69010630 | | COVERING [C] GROUP 6303 | | | |
| OOP5 | LA69010190 | LAR69010190 | LOCK [C] 6303 N/S2014 | | | |
| OOP6 | LA11401450 | LAR11401450 | FLANGE [C] | | | |
| OOP7 | LA70044200 | LAR70044200 | GASKET [C] | | | |
| OOP8 | LA71500150 | LAR71500150 | GLASS PLATE [C] P2000 | | | |
| OOP9 | LA11401440 | LAR11401440 | LAMP COVER [C] | | | |
| OP10 | LA66110310 | LAR66110310 | DOOR LIGHTS CABLE SET [C] M-V/061 | | | |
| OP11 | LA65270450 | LAR65270450 | LAMP HOLDER [C] | | | |
| OP12 | LA65270020 | LAR65270020 | BULB [C] 12V 20W G4 | | | |
| OP13 | LAR65260752 | | CONTACT [C] LIGHTS SR.2014 | | | |
| OP14 | LA61600031 | LAR61600031 | GASKET [C] D.3,2 UNI 7434 | | | |
| OP15 | LAR71202210 | | GLASS PLATE [C] N/S071 2014 494x590x6 | | | |
| OP16 | LA11423460 | LAR11423460 | PROTECTION [C] DOOR GLASS K E T 2011 | | | |
| OP17 | LAR70050180 | | SPACER [C] GLASS 15x8 M4x12 A2 | | | |
| OP18 | LAR58001780 | | CATCH [C] DOOR P2000 | | | |
| OP19 | LA58001770 | LAR58001770 | PIN [C] | | | |
| OP20 | LA58001760 | LAR58001760 | HINGE [C] GLASS SR2000 | | | |
| OP21 | LAR65265100 | | MICROSWITCH [C] | | | |
| OP22 | LAR69180220 | | DOOR CONTAINER [C] N/S071-101 2014 | | | |
| OP23 | LA69180010 | LAR69180010 | DRAIN [C] | | | |
| OP24 | LA61620132 | LAR61620132 | SPRING [C] | | | |
| OP25 | LA69010260 | LAR69010260 | PRONG [C] | | | |
| OP26 | LAR69010270 | | PRONG [C] | | | |
| OP27 | LAR11420660 | | FLANGE [C] | | | |
| OP3b | LA67016720 | LAR67016720 | COATING [C] | | | |
| P23b | LA11202240 | LAR11202240 | DRAIN [C] | | | |



Attenzione! I disegni esplosi si riferiscono al modello generale

TAV. B - LCS

| Pos. | Code | Codice precedente | Description | Notes | From: | To: |
|------|-------------|-------------------|---|-------|-------|-----|
| OOP1 | LAR14171320 | | DOOR [C] NA_071 | | | |
| OOP2 | LAR14203660 | | PORTA ESTERNA NA_071 C/TANICHE | | | |
| OOP3 | LA67016540 | LAR67016540 | COATING [C] | | | |
| OOP4 | LAR69010630 | | COVERING [C] GROUP 6303 | | | |
| OOP5 | LA69010190 | LAR69010190 | LOCK [C] 6303 N/S2014 | | | |
| OOP6 | LA11401450 | LAR11401450 | FLANGE [C] | | | |
| OOP7 | LA70044200 | LAR70044200 | GASKET [C] | | | |
| OOP8 | LA71500150 | LAR71500150 | GLASS PLATE [C] P2000 | | | |
| OOP9 | LA11401440 | LAR11401440 | LAMP COVER [C] | | | |
| OP10 | LA66110310 | LAR66110310 | DOOR LIGHTS CABLE SET [C] M-V/061 | | | |
| OP11 | LA65270450 | LAR65270450 | LAMP HOLDER [C] | | | |
| OP12 | LA65270020 | LAR65270020 | BULB [C] 12V 20W G4 | | | |
| OP13 | LAR65260752 | | CONTACT [C] LIGHTS SR.2014 | | | |
| OP14 | LA61600031 | LAR61600031 | GASKET [C] D.3,2 UNI 7434 | | | |
| OP15 | LAR71202210 | | GLASS PLATE [C] N/S071 2014 494x590x6 | | | |
| OP16 | LA11423460 | LAR11423460 | PROTECTION [C] DOOR GLASS K E T 2011 | | | |
| OP17 | LAR70050180 | | SPACER [C] GLASS 15x8 M4x12 A2 | | | |
| OP18 | LAR58001780 | | CATCH [C] DOOR P2000 | | | |
| OP19 | LA58001770 | LAR58001770 | PIN [C] | | | |
| OP20 | LA58001760 | LAR58001760 | HINGE [C] GLASS SR2000 | | | |
| OP21 | LAR65265100 | | MICROSWITCH [C] | | | |
| OP22 | LAR69180220 | | DOOR CONTAINER [C] N/S071-101 2014 | | | |
| OP23 | LA69180010 | LAR69180010 | DRAIN [C] | | | |
| OP24 | LA61620132 | LAR61620132 | SPRING [C] | | | |
| OP25 | LA69010260 | LAR69010260 | PRONG [C] | | | |
| OP26 | LAR69010270 | | PRONG [C] | | | |
| OP27 | LAR11420660 | | FLANGE [C] | | | |
| OP28 | LAR67017890 | | RIVESTIMENTO PORTA N/S071/101 C/ TANICHE | | | |
| OP3b | LA67016540 | LAR67016540 | COATING [C] | | | |
| P23b | LA11202240 | LAR11202240 | DRAIN [C] | | | |



Attenzione! I disegni esplosi si riferiscono al modello generale

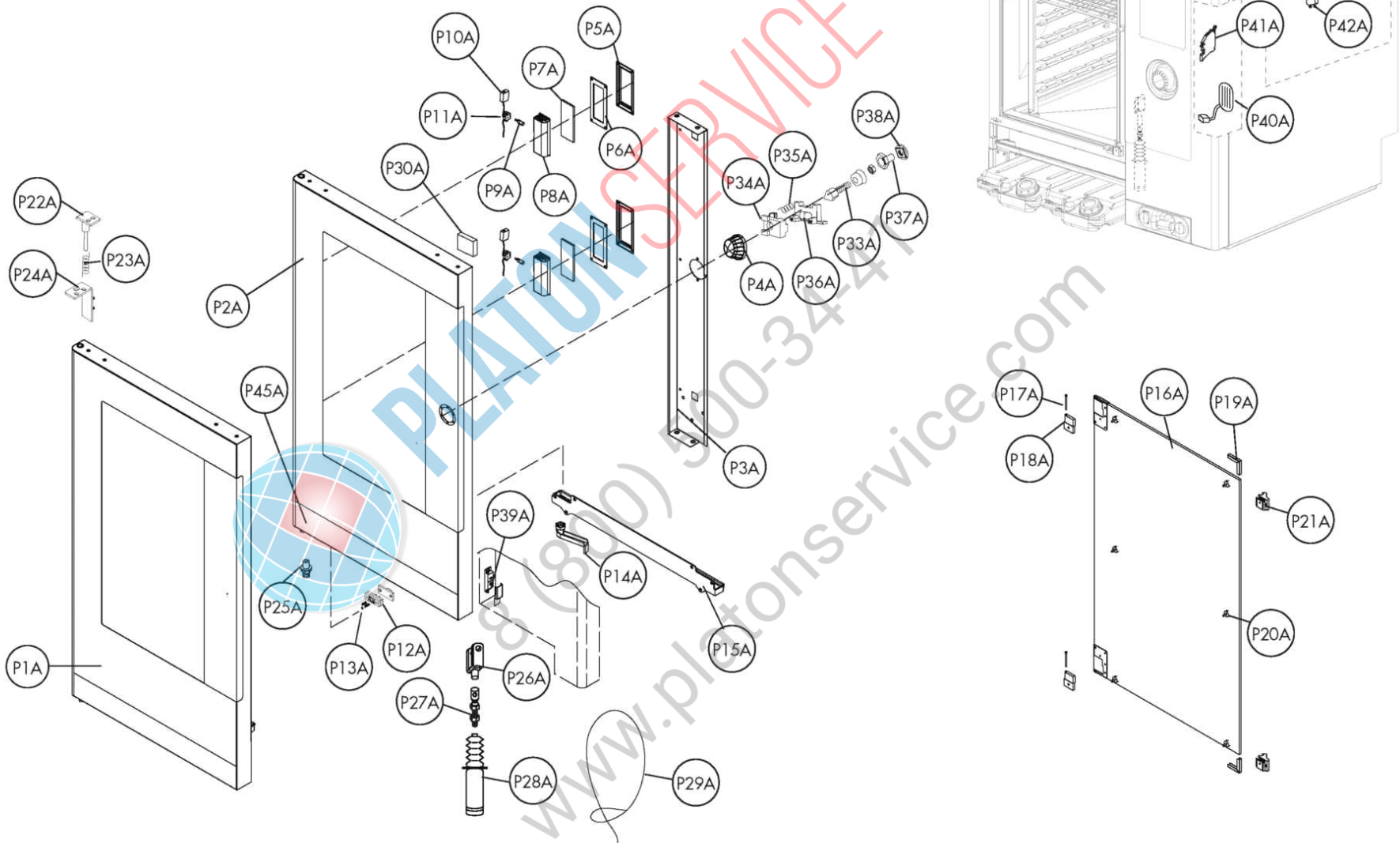
TAV. B - NAA - SCS

| Pos. | Code | Codice precedente | Description | Notes | From: | To: |
|------|-------------|-------------------|---|-------|----------|----------|
| OP1A | LAR14162610 | | DOOR [C] AUTOMATIC NA_071 | | | |
| OP2A | LAR14218100 | | DOOR [C] NA_071 | | | |
| OP3A | LA67016720 | LAR67016720 | COATING [C] | | | |
| OP4A | LA14218140 | LAR14218140 | COVER [C] AUTOMATIC CLOSURE SYSTEM | | | |
| OP5A | LA11401450 | LAR11401450 | FLANGE [C] | | | |
| OP6A | LA70044200 | LAR70044200 | GASKET [C] | | | |
| OP7A | LA71500150 | LAR71500150 | GLASS PLATE [C] P2000 | | | |
| OP8A | LA11401440 | LAR11401440 | LAMP COVER [C] | | | |
| OP9A | LA65270020 | LAR65270020 | BULB [C] 12V 20W G4 | | | |
| P10A | LA66110310 | LAR66110310 | DOOR LIGHTS CABLE SET [C] M-V/061 | | | |
| P11A | LA65270450 | LAR65270450 | LAMP HOLDER [C] | | | |
| P12A | LAR65260752 | | CONTACT [C] LIGHTS SR.2014 | | | |
| P13A | LA61600031 | LAR61600031 | GASKET [C] D.3,2 UNI 7434 | | | |
| P14A | LA69180010 | LAR69180010 | DRAIN [C] | | | |
| P15A | LAR69180220 | | DOOR CONTAINER [C] N/S071-101 2014 | | | |
| P16A | LAR71202210 | | GLASS PLATE [C] N/S071 2014 494x590x6 | | | |
| P17A | LA58001770 | LAR58001770 | PIN [C] | | | |
| P18A | LA58001760 | LAR58001760 | HINGE [C] GLASS SR2000 | | | |
| P19A | LA11423460 | LAR11423460 | PROTECTION [C] DOOR GLASS K E T 2011 | | | |
| P20A | LAR70050180 | | SPACER [C] GLASS 15x8 M4x12 A2 | | | |
| P21A | LAR58001780 | | CATCH [C] DOOR P2000 | | | |
| P22A | LAR14218130 | | PIN [C] | | | |
| P23A | FR3410560 | | MOLLA DX PORTE CIECHE ARMADI | | | |
| P24A | LAR14402400 | | UPPR HINGE [C] AUTOMATIC DOOR N/S 2014 | | | |
| P25A | LA58007180 | LAR58007180 | PIN [C] | | | |
| P26A | LA61660110 | LAR61660110 | FORK [C] | | | |
| P27A | LA61660120 | LAR61660120 | CONNECTOR [C] AXLE SM6 | | | |
| P28A | LA65090310 | LAR65090310 | ACTUATOR [C] LINEAR D40AM2 (220VCC) | | | |
| P29A | LAR85340022 | | CAVO DI ACCIAIO INOX | | | |
| P30A | LAR11420660 | | FLANGE [C] | | | |
| P33A | LAR69010850 | | PRONG [C] | | | 6/8/2014 |
| P33A | LAR69010860 | | PRONG [C] | | 6/9/2014 | |
| P34A | LA58007220 | LAR58007220 | CATCH [C] FOR AUTOMATIC DOOR | | | |
| P35A | LA61620132 | LAR61620132 | SPRING [C] | | | 6/8/2014 |

| Pos. | Code | Codice precedente | Description | Notes | From: | To: |
|------|-------------|-------------------|---|-------|----------|-----|
| P35A | LA61620152 | LAR61620152 | SPRING [C] | | 6/9/2014 | |
| P36A | LA58007170 | LAR58007170 | SUPPORT [C] | | | |
| P37A | LA58007200 | LAR58007200 | EXTERIOR BUSH [C] FOR AUTOMATIC RELEASE | | | |
| P38A | LAR58007190 | | INTERIOR BUSH [C] FOR AUTOMATIC RELEASE | | | |
| P39A | LAR65265100 | | MICROSWITCH [C] | | | |
| P40A | LA67016870 | LAR67016870 | BUTTON [C] AUTOMATIC DOOR N 2014 | | | |
| P41A | LA65210020 | LAR65210020 | FUSE CARRIER [C] 5X20 | | | |
| P42A | LA61660130 | LAR61660130 | TERMINAL [C] | | | |
| P43A | LA65301760 | LAR65301760 | DIODE BRIDGE [C] 25A 1000V FASTON | | | |
| P44A | LA65170100 | LAR65170100 | RELAY [C] | | | |



PLATON SERVICE
8 (800) 500-34-47
www.platonservice.com



Attenzione! I disegni esplosi si riferiscono al modello generale

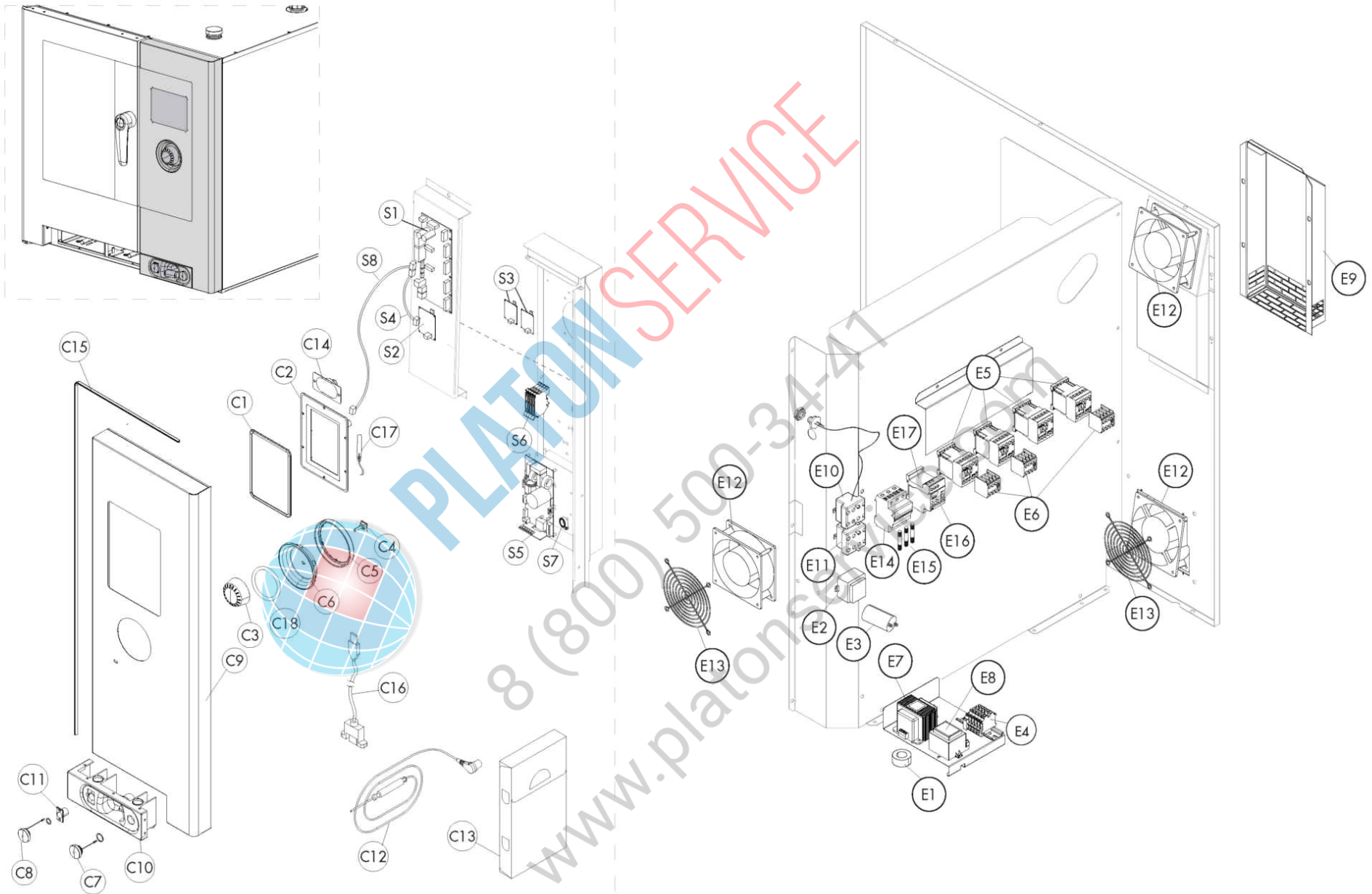
TAV. B - NAA - LCS

| Pos. | Code | Codice precedente | Description | Notes | From: | To: |
|------|-------------|-------------------|--|-------|----------|----------|
| OP1A | LAR14171330 | | DOOR [C] AUTOMATIC NA_071 C/TAN | | | |
| OP2A | LAR14203860 | | PORTA ESTERNA NA_071 C/TANICHE AP.AUTOM. | | | |
| OP3A | LA67016720 | LAR67016720 | COATING [C] | | | |
| OP4A | LA14218140 | LAR14218140 | COVER [C] AUTOMATIC CLOSURE SYSTEM | | | |
| OP5A | LA11401450 | LAR11401450 | FLANGE [C] | | | |
| OP6A | LA70044200 | LAR70044200 | GASKET [C] | | | |
| OP7A | LA71500150 | LAR71500150 | GLASS PLATE [C] P2000 | | | |
| OP8A | LA11401440 | LAR11401440 | LAMP COVER [C] | | | |
| OP9A | LA65270020 | LAR65270020 | BULB [C] 12V 20W G4 | | | |
| P10A | LA66110310 | LAR66110310 | DOOR LIGHTS CABLE SET [C] M-V/061 | | | |
| P11A | LA65270450 | LAR65270450 | LAMP HOLDER [C] | | | |
| P12A | LAR65260752 | | CONTACT [C] LIGHTS SR.2014 | | | |
| P13A | LA61600031 | LAR61600031 | GASKET [C] D 3,2 UNI 7434 | | | |
| P14A | LA69180010 | LAR69180010 | DRAIN [C] | | | |
| P15A | LAR69180220 | | DOOR CONTAINER [C] N/S071-101 2014 | | | |
| P16A | LAR71202210 | | GLASS PLATE [C] N/S071 2014 494x590x6 | | | |
| P17A | LA58001770 | LAR58001770 | PIN [C] | | | |
| P18A | LA58001760 | LAR58001760 | HINGE [C] GLASS SR2000 | | | |
| P19A | LA11423460 | LAR11423460 | PROTECTION [C] DOOR GLASS K E T 2011 | | | |
| P20A | LAR70050180 | | SPACER [C] GLASS 15x8 M4x12 A2 | | | |
| P21A | LAR58001780 | | CATCH [C] DOOR P2000 | | | |
| P22A | LAR14218130 | | PIN [C] | | | |
| P23A | FR3410560 | | MOLLA DX PORTE CIECHE ARMADI | | | |
| P24A | LAR14402400 | | UPPR HINGE [C] AUTOMATIC DOOR N/S 2014 | | | |
| P25A | LA58007180 | LAR58007180 | PIN [C] | | | |
| P26A | LA61660110 | LAR61660110 | FORK [C] | | | |
| P27A | LA61660120 | LAR61660120 | CONNECTOR [C] AXLE SM6 | | | |
| P28A | LA65090310 | LAR65090310 | ACTUATOR [C] LINEAR D40AM2 (220VCC) | | | |
| P29A | LAR85340022 | | CAVO DI ACCIAIO INOX | | | |
| P30A | LAR11420660 | | FLANGE [C] | | | |
| P33A | LAR69010850 | | PRONG [C] | | | 6/8/2014 |
| P33A | LAR69010860 | | PRONG [C] | | 6/9/2014 | |
| P34A | LA58007220 | LAR58007220 | CATCH [C] FOR AUTOMATIC DOOR | | | |

| Pos. | Code | Codice precedente | Description | Notes | From: | To: |
|------|-------------|-------------------|--|-------|----------|----------|
| P35A | LA61620132 | LAR61620132 | SPRING [C] | | | 6/8/2014 |
| P35A | LA61620152 | LAR61620152 | SPRING [C] | | 6/9/2014 | |
| P36A | LA58007170 | LAR58007170 | SUPPORT [C] | | | |
| P37A | LA58007200 | LAR58007200 | EXTERIOR BUSH [C] FOR AUTOMATIC RELEASE | | | |
| P38A | LAR58007190 | | INTERIOR BUSH [C] FOR AUTOMATIC RELEASE | | | |
| P39A | LAR65265100 | | MICROSWITCH [C] | | | |
| P40A | LA67016870 | LAR67016870 | BUTTON [C] AUTOMATIC DOOR N 2014 | | | |
| P41A | LA65210020 | LAR65210020 | FUSE CARRIER [C] 5X20 | | | |
| P42A | LA61660130 | LAR61660130 | TERMINAL [C] | | | |
| P43A | LA65301760 | LAR65301760 | DIODE BRIDGE [C] 25A 1000V FASTON | | | |
| P44A | LA65170100 | LAR65170100 | RELAY [C] | | | |
| P45A | LAR67017890 | | RIVESTIMENTO PORTA N/S071/101 C/ TANICHE | | | |



PLATON SERVICE
 8 (800) 500-34-41
 www.platonservice.com

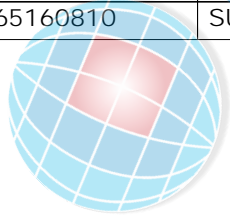


Attenzione! I disegni esplosi si riferiscono al modello generale

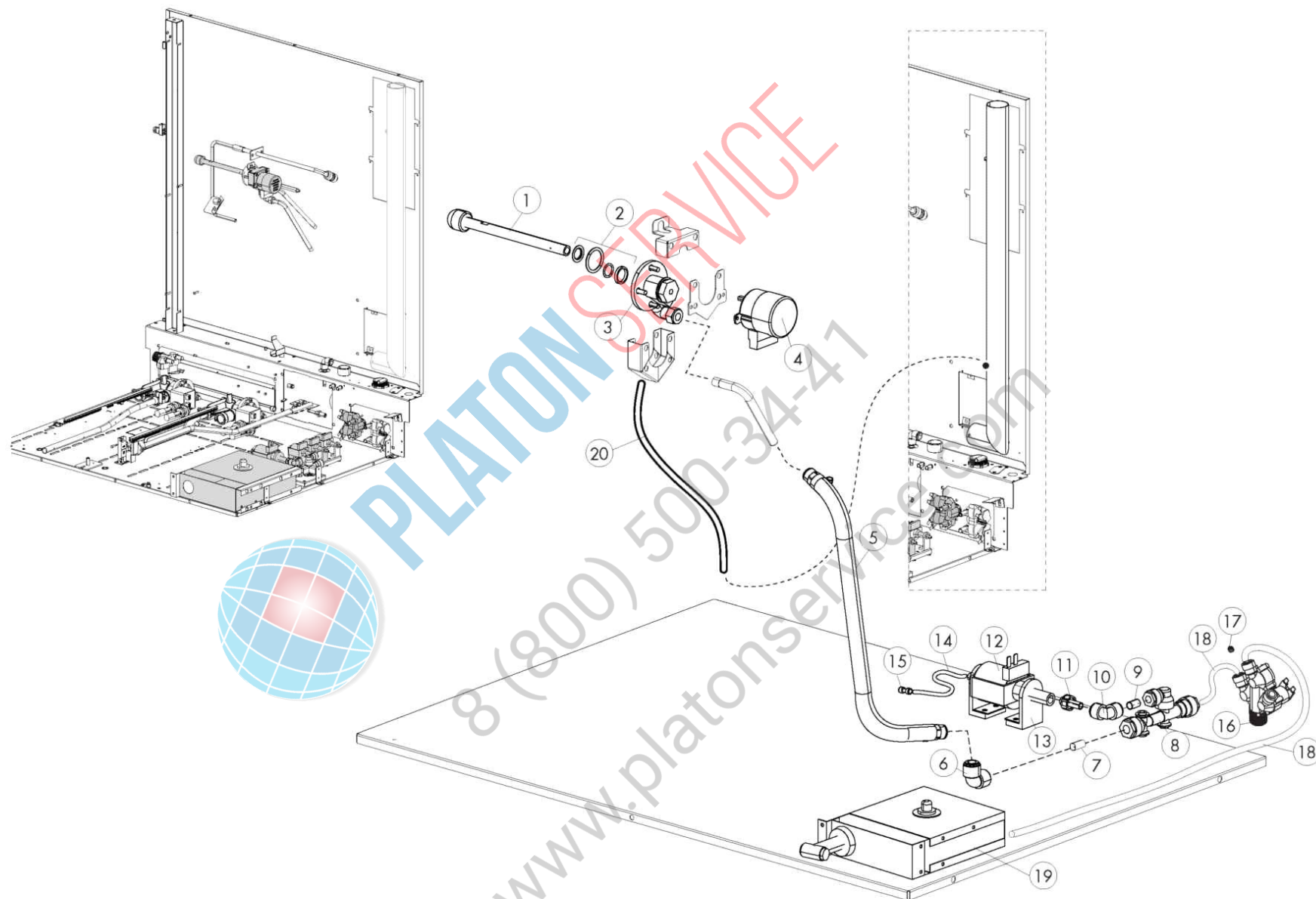
TAV. C

| Pos. | Code | Codice precedente | Description | Notes | From: | To: |
|------|-------------|-------------------|--|----------------------|----------|-----------|
| 00C1 | LA70040030 | LAR70040030 | GASKET [C] CONTROL PANEL N 2014 | | | |
| 00C3 | LA69030241 | | MANOPOLA ENCODER D.70 NERA N 2017 | | | |
| 00C4 | LA65302501 | | ENCODER PUSH NABOO+CAVO L=60cm DET.MAGG. | | | |
| 00C5 | LA69030330 | LAR69030330 | COUNTER FLANGE [C] D.116 FOR ENCODER N 2014 | | | |
| 00C6 | LA69030320 | LAR69030320 | RING NUT [C] D. 116 | | | |
| 00C7 | LA65321310 | LAR65321310 | CAP [C] | | | |
| 00C8 | LA65321330 | LAR65321330 | CAP [C] N/S 2014 | | | |
| 00C9 | LAR14200690 | | FRONT PANEL [C] N071 2014 | | | |
| 00E1 | LAR65280490 | | FERRITE [C] FT36 | | | |
| 00E2 | LA65450200 | LAR65450200 | INDUCTOR [C] 6,5 mH 8A | | | |
| 00E3 | LA65280230 | LAR65280230 | FILTER [C] | | | |
| 00E5 | LA65140380 | LAR65140380 | SWITCH [C] | | | 7/31/2016 |
| 00E5 | LA65140400 | LAR65140400 | SWITCH [C] | | | 7/31/2016 |
| 00E5 | LA65140900 | LAR65140900 | SWITCH [C] | | 8/1/2016 | |
| 00E5 | LA65140910 | LAR65140910 | SWITCH [C] | | 8/1/2016 | |
| 00E6 | LA65140420 | LAR65140420 | CONTACT [C] 1L+1R 3RH1911-1FA11 | | | 7/31/2016 |
| 00E6 | LA65140930 | LAR65140930 | CONTACT [C] 1L+1R 3RH2911-1HA11 | | 8/1/2016 | |
| 00E7 | LA65180430 | LAR65180430 | TRANSFORMER [C] 40VA | | | |
| 00E7 | LA65187110 | LAR65187110 | TRANSFORMER [C] 40VA | UL Version (USA-CAN) | | |
| 00E8 | LA65180420 | LAR65180420 | TRANSFORMER [C] 20VA | | | |
| 00E8 | LA65187110 | LAR65187110 | TRANSFORMER [C] 40VA | UL Version (USA-CAN) | | |
| 00S1 | LA65302480 | LAR65302480 | POWER BOARD [C] NABOO | | | |
| 00S2 | LA65302520 | LAR65302520 | EXPANSION BOAD [C] BOILER NABOO | | | |
| 00S3 | LA65302530 | LAR65302530 | EXPANSION BOAD [C] WASHING SYSTEM NABOO | | | |
| 00S4 | LA65301740 | LAR65301740 | CABLE [C] SERIAL WITH PLUG RJ45 L=250 | | | |
| 00S5 | LAR65140090 | | INVERTER [C] 0,8KW | UL Version (USA-CAN) | | |
| 00S5 | LAR65140890 | | INVERTER [C] 0,8KW | | | |
| 00S6 | LA65210020 | LAR65210020 | FUSE CARRIER [C] 5X20 | | | |
| 00S7 | LA65280480 | LAR65280480 | FERRITE [C] FT25 | | | |
| 00S8 | LA65301750 | LAR65301750 | CABLE [C] SERIAL WITH PLUG RJ45 L=600 | | | |
| OC10 | LA14402530 | LAR14402530 | CONNECTIONS FRAME [C] N/S071 2014 | | | |
| OC11 | LA65321360 | LAR65321360 | CONNECTOR [C] L1000 FEMALE TO CORE PROBE 6 PINS | | | |
| OC12 | LA65321102 | LAR65321102 | PROBE [C] K 4P 6 PIN IMP.2012 | | | |

| Pos. | Code | Codice precedente | Description | Notes | From: | To: |
|------|-------------|-------------------|---|----------------------|----------|-----------|
| OC13 | LAR86020400 | | VALIGETTA X SONDA AL CUORE TRASPARENTE | | | |
| OC14 | LA65330060 | LAR65330060 | LOUDSPEAKER [C] CONTROL PANEL NA 2014 | | | |
| OC15 | LAR80100100 | | PROFILE [C] | | | |
| OC16 | LA65302600 | LAR65302600 | CABLE [C] CARD SWITCH CONNECTION USB 90Å° L=850 | | | |
| OC17 | LA65302560 | LAR65302560 | AERIAL [C] | | | |
| OC18 | LA70010290 | LAR70010290 | GASKET [C] 115X2,5 | | | |
| OE10 | LA65070350 | LAR65070350 | THERMOSTAT [C] 360Å°C | | | |
| OE10 | LA65070370 | LAR65070370 | THERMOSTAT [C] 360Å°C | UL Version (USA-CAN) | | |
| OE11 | LA65070380 | LAR65070380 | THERMOSTAT [C] 150Å°C | UL Version (USA-CAN) | | |
| OE11 | LAR65070081 | | THERMOSTAT [C] BOILER | | | |
| OE12 | LA65060050 | LAR65060050 | FAN [R] D. 120 | | | |
| OE13 | LAR75300020 | | PLATE [C] FAN D.120 | | | |
| OE14 | LAR65210110 | | PORTAFUSIBILE BUSMANN BCC3X38 (2306338) | UL Version (USA-CAN) | | |
| OE15 | LAR65200400 | | FUSIBILE X MOT. KTK-R-6 600V 6A CL. CC | UL Version (USA-CAN) | | |
| OE16 | LA65160620 | LAR65160620 | HEAT-GUARD [C] 1,4-2,0 | UL Version (USA-CAN) | | 7/31/2016 |
| OE16 | LA65160880 | LAR65160880 | HEAT-GUARD [C] 1,4-2,0 | UL Version (USA-CAN) | 8/1/2016 | |
| OE17 | LA65160550 | LAR65160550 | SUPPORT [C] | UL Version (USA-CAN) | | 7/31/2016 |
| OE17 | LA65160810 | LAR65160810 | SUPP.TERMICO 3RU2916-3AA01 | UL Version (USA-CAN) | 8/1/2016 | |



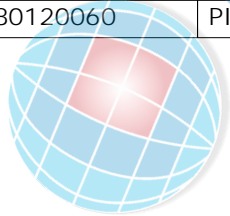
8 (800) 500-3447
www.platonservice.com



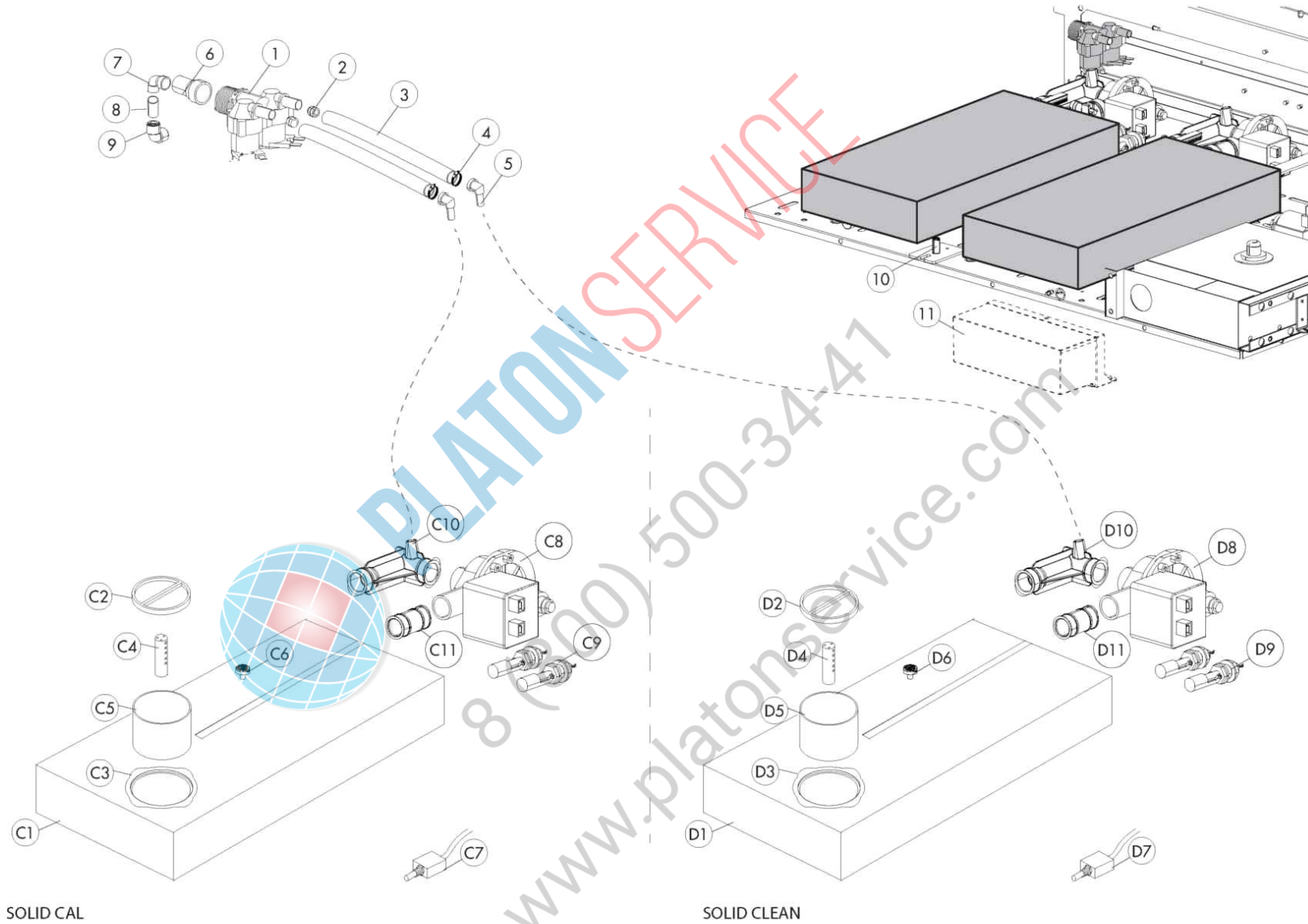
Attenzione! I disegni esplosi si riferiscono al modello generale

TAV. D

| Pos. | Code | Codice precedente | Description | Notes | From: | To: |
|------|-------------|-------------------|--|-------|----------|----------|
| 0001 | LAR58007030 | | WASHING HEAD [C] L=165 (2/1) | | | |
| 0002 | LAR70045120 | | GASKET [C] | | | |
| 0003 | LAR58007020 | | FLANGE [C] | | | |
| 0004 | LA65090260 | LAR65090260 | GEARMOTOR [C] | | | |
| 0006 | LA62090478 | LAR62090478 | CONNECTOR [C] D.10 | | | |
| 0007 | LA80150000 | LAR80150000 | PIPE [C] | | | |
| 0008 | LA62090888 | LAR62090888 | MANIFOLD [C] 3WAYS-2D.10+1D.8+3 NO RETURN CONTROL | | 7/7/2014 | |
| 0009 | LA80150020 | LAR80150020 | PIPE [C] | | | |
| 0010 | LA62090498 | LAR62090498 | CONNECTOR [C] D.8 | | | |
| 0011 | LA62090608 | LAR62090608 | END SIDE PIPE [C] 8x1/8 | | | |
| 0012 | LAR65110600 | | PUMP [C] | | | |
| 0014 | LA80150020 | LAR80150020 | PIPE [C] | | | |
| 0015 | LA62090878 | LAR62090878 | CONNECTOR [C] D.8 | | | |
| 0016 | LAR65110240 | | SOLENOID VALVE [C] 220V 50HZ 2P+1D 3 WAYS | | | 3/2/2015 |
| 0016 | LAR65110360 | | DOUBLE SOLENOID VALVE 3 WAY D.10 | | 3/3/2015 | |
| 0017 | LA65110500 | LAR65110500 | REGULATOR [C] | | | |
| 0018 | LA80150000 | LAR80150000 | PIPE [C] | | | |
| 0019 | LA62200172 | LAR62200172 | SHOWER HEAD [C] N071/101/072/102 2014 | | | |
| 0020 | LA80120060 | LAR80120060 | PIPE [C] | | | |



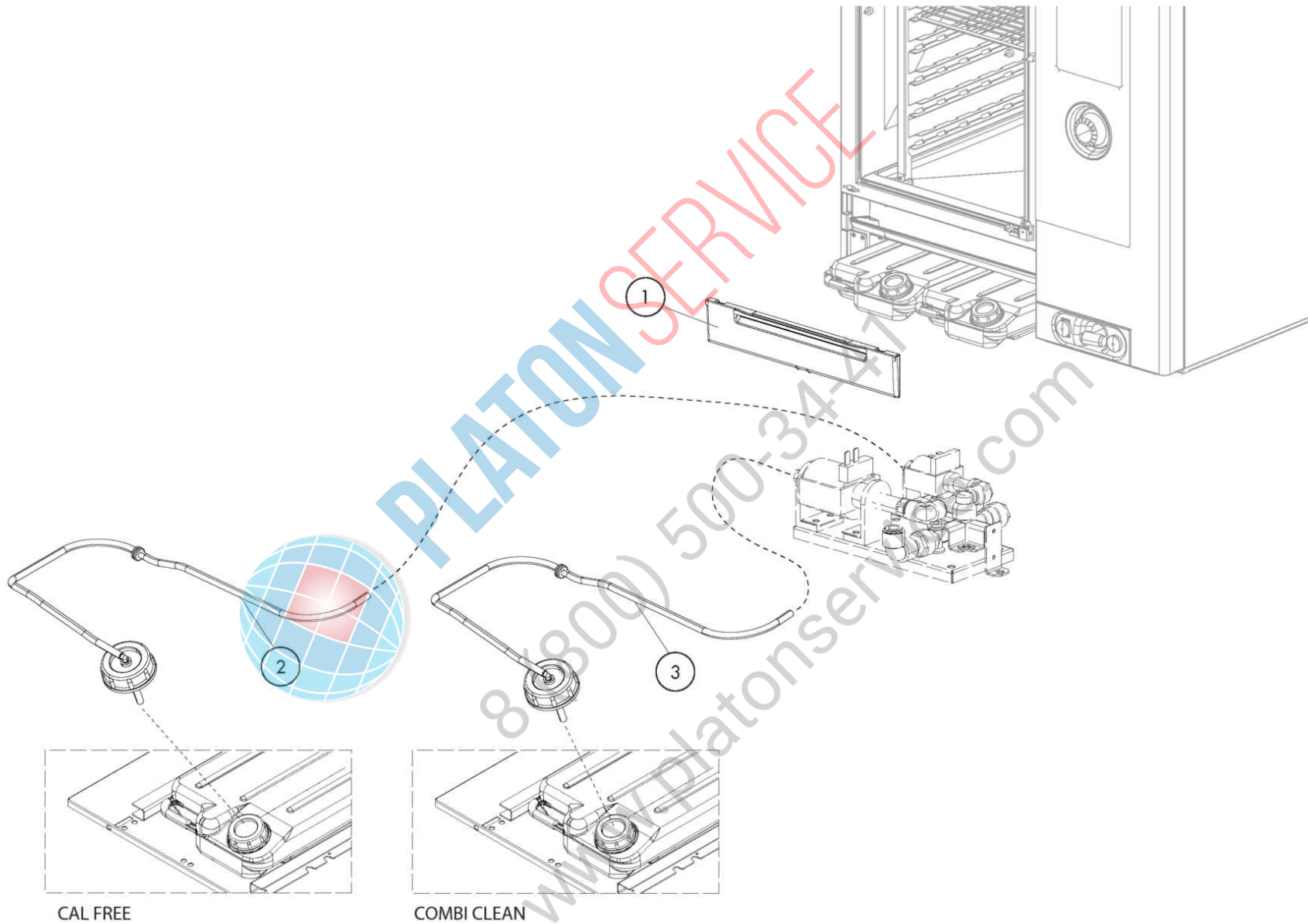
8 (800) 500-34-47
www.platonservice.com



Attenzione! I disegni esplosi si riferiscono al modello generale

TAV. E - SCS

| Pos. | Code | Codice precedente | Description | Notes | From: | To: |
|------|-------------|-------------------|--|-------|-------|-----|
| 0001 | LAR65110210 | | SOLENOID VALVE [C] 220V 50HZ 2 WAYS | | | |
| 0002 | LA65110530 | LAR65110530 | REGULATOR [C] 2LT/1' | | | |
| 0003 | LA80120060 | LAR80120060 | PIPE [C] | | | |
| 0004 | LA61630121 | LAR61630121 | ZINC CLAMP [C] WITH SPRING D.13,7MM | | | |
| 0005 | LAR62090938 | | CONNECTOR [C] D.8 | | | |
| 0006 | LA65110690 | LAR65110690 | CONNECTOR [C] 3/4F+JG10 | | | |
| 0007 | LA62090528 | LAR62090528 | CONNECTOR [C] 10X10 | | | |
| 0008 | LA80150000 | LAR80150000 | PIPE [C] | | | |
| 0009 | LA62090478 | LAR62090478 | CONNECTOR [C] D.10 | | | |
| 0010 | LAR58006960 | | PIN [C] DRAWERS DIVISION N/S 071-101 2014 D9 | | | |
| 00C2 | LAR69040030 | | CAP [C] N/S 2014 D. 80 | | | |
| 00C4 | LA69040050 | LAR69040050 | VAPORISER [C] | | | |
| 00C5 | LA69040060 | LAR69040060 | FILTER [C] MIXING TRAY N/S 2014 | | | |
| 00C6 | LAR62090718 | | FILTER [C] D.5 | | | |
| 00C7 | LAR65260900 | | MICROINT.CASSETTO MISCELAZIONE N/S 2014 | | | |
| 00C8 | LA65110300 | LAR65110300 | PUMP [C] 220V 50HZ | 50Hz | | |
| 00C8 | LA65110310 | LAR65110310 | PUMP [C] 220V 60HZ | 60Hz | | |
| 00C9 | LA65260910 | LAR65260910 | CONTROL [C] LEVEL MIXING TRAY N/S 2014 | | | |
| 00D2 | LA69040040 | LAR69040040 | CAP [C] N/S 2014 D. 90 | | | |
| 00D4 | LA69040050 | LAR69040050 | VAPORISER [C] | | | |
| 00D5 | LA69040060 | LAR69040060 | FILTER [C] MIXING TRAY N/S 2014 | | | |
| 00D6 | LAR62090718 | | FILTER [C] D.5 | | | |
| 00D7 | LAR65260900 | | MICROINT.CASSETTO MISCELAZIONE N/S 2014 | | | |
| 00D8 | LA65110300 | LAR65110300 | PUMP [C] 220V 50HZ | 50Hz | | |
| 00D8 | LA65110310 | LAR65110310 | PUMP [C] 220V 60HZ | 60Hz | | |
| 00D9 | LA65260910 | LAR65260910 | CONTROL [C] LEVEL MIXING TRAY N/S 2014 | | | |



Attenzione! I disegni esplosi si riferiscono al modello generale

TAV. F - LCS

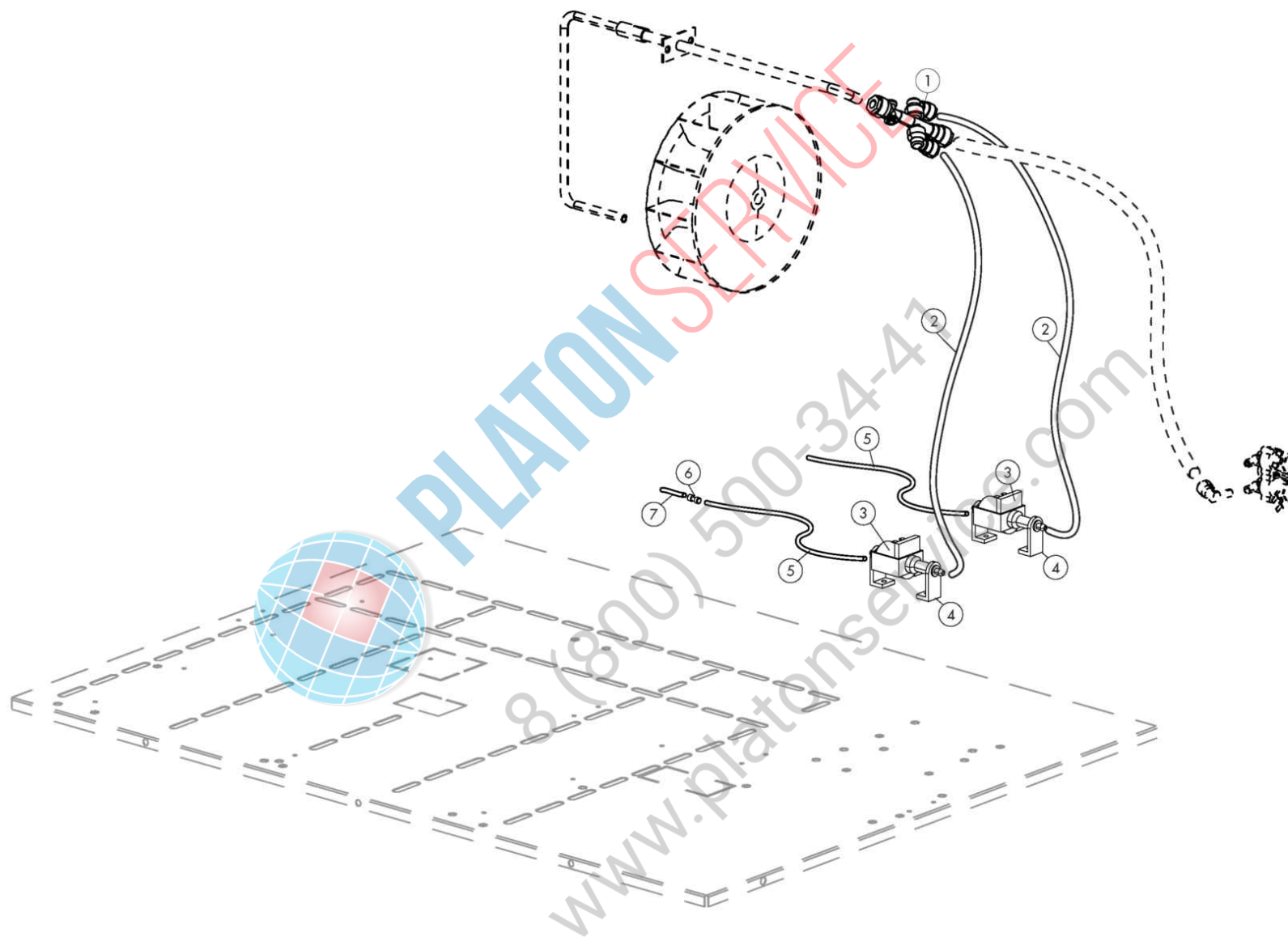
| Pos. | Code | Codice precedente | Description | Notes | From: | To: |
|------|-------------|-------------------|-------------|-------|-------|-----|
| 0001 | LAR69180340 | | DOOR [C] | | | |
| 0002 | LAR14171810 | | PIPE [C] | | | |
| 0003 | LAR14171800 | | PIPE [C] | | | |



PLATON SERVICE

8 (800) 500-34-47

www.platonservice.com



Attenzione! I disegni esplosi si riferiscono al modello generale

TAV. G - SMOKEGRILL

| Pos. | Code | Codice precedente | Description | Notes | From: | To: |
|------|-------------|-------------------|--|-------|-------|-----|
| 0001 | LA62090898 | LAR62090898 | MANIFOLD [C] 4WAYS-2D.10+2D.8+3 NO RETURN CONTROL | | | |
| 0002 | LA80150020 | LAR80150020 | PIPE [C] | | | |
| 0003 | LAR65110620 | | PUMP [C] 230V 50HZ | | | |
| 0005 | LA80150020 | LAR80150020 | PIPE [C] | | | |
| 0006 | LA62090798 | LAR62090798 | REDUCTION [C] 8-6 | | | |
| 0007 | LA80150030 | LAR80150030 | PIPE [C] | | | |



PLATON SERVICE
8 (800) 500-34-47
www.platonservice.com